

Innovation that makes news

Even this year Genius will inform you on the latest news that it offers in the automation for gates area...and not only that. Products that are always more technological and functional to enter into a professional optic made of satisfaction and new conquests.

Move your Genius



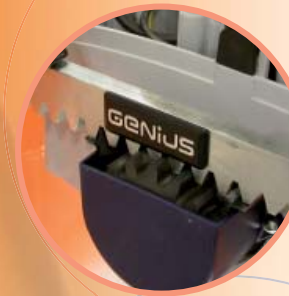
SIMPLE | page 4
ELECTROMECHANIC BARRIER



AMIGOLD | page 8
THE RADIO CONTROL



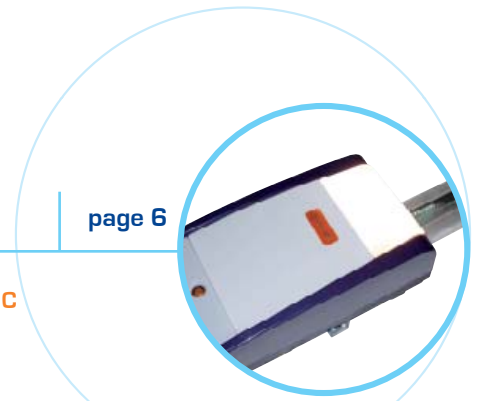
G-ROLL | page 9
TUBULAR MOTORS FOR ROLLING SHUTTERS AND SUN CURTAINS



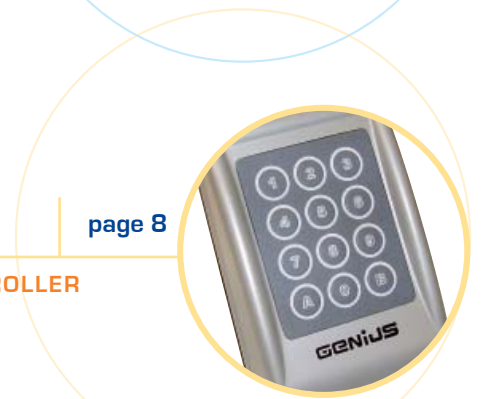
FALCON | page 10
GEAR MOTORS FOR SLIDING GATES



ENCLOSURE FOR CONTROL UNITS | page 11
TO HOUSE ALL THE RANGE OF THE 24V GENIUS CONTROL UNITS



ZODIAC | page 6
CEILING ELECTROMECHANIC OPERATOR



AMICODE | page 8
KEYBOARD CONTROLLER



ROLLER | page 10
UNDERGROUND OPERATORS FOR LEAF GATES



SPIN | page 11
AUTOMATED BARRIERS FOR MOTOR VEHICLES



ELECTROMECHANIC BARRIER

Elegance and easiness in motion



Simple is a 24V electromechanic barrier for sole motor vehicles access. An innovative design based on the concept of simplicity, which characterizes all its technical aspects. Simple to install, to release, to adjust and to carry.

- Ambidexter barrier available in two versions:
- Clamped to the wall (an important innovation from Genius, anticipating the competition)
 - On a post plinth

- Simple can mount three kinds of rods:
- A 3 m telescopic rod
 - A 4m fixed rod
 - A 3m fixed rod with signal lights or rubber rim

Balancing of the rod is automatic and occurs through a pre-assembled torsion spring fitting all the kinds of rods available for Simple.



3m telescopic rod

It is fitted with three telescopic elements. When carried, its length reduces to 1 metre.



Rod with lights

A rod with lights is available to enhance visibility.



Easy to install

Wall or floor positioning thanks to appropriate auxiliary brackets. Adjustments of the torsion spring are not required. The electronic unit is located in an ergonomic housing easy to access.



Easy release

Innovative system protected by an encoded key forbidding the control unit access and avoiding a casual re-start of the gear motor.



INTEGRATED FLASHLIGHT

This innovative feature generates 2 light stripes indicating motion.

Zodiac

CEILING ELECTROMECHANIC OPERATOR

Technology from above

Zodiac is a ceiling electromechanic actuator with a modern design, for spring doors, sectional doors and balance doors with counterweights (with suitable adapter). Two models available:

- residential use (Zodiac 60 - 600N)
- condominium use (Zodiac 100 - 1000N)

This product's features have a high technological value bestowing it many qualities:

- compact size (360 x 200 x 120)
- installation time reduced of 40%
- basement of a solid plastic material reducing the operator's weight and making it more handy

- housebreaking-safe for more than 300 kg
- it is possible to assemble a 40W reduced consumption light

- supplied with plug power cable. This avoids a contact with powered components.



Simplified planning

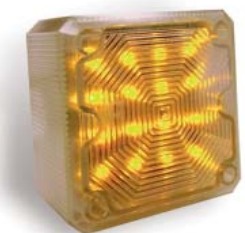
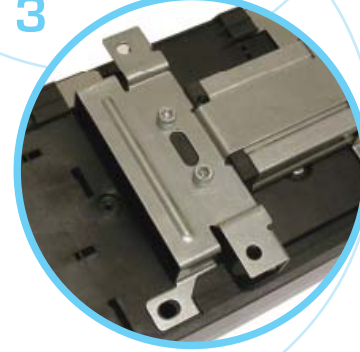
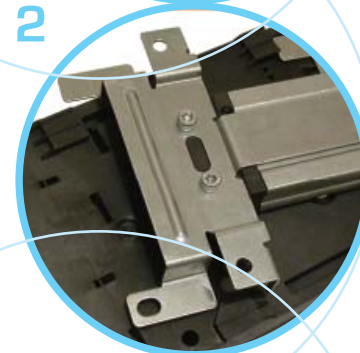
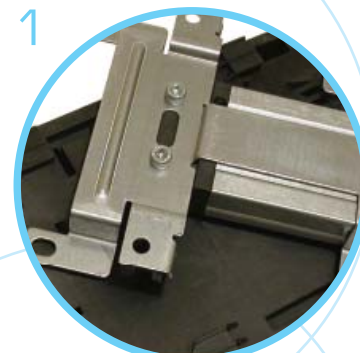
Automated saving of the limit switch position, of the slowdown spaces and of the door's handling strength. **Bistable release system (PATENTED).**

Patented "three steps" assembly:

Zodiac can be assembled on its suitable track in three steps, without using tools:

- 1 assemble the support plate on the track screwing the two bolts and fastening the inner part;
- 2 take the operator, engage shaft and wheel;
- 3 plug in

To disassemble a small screwdriver is sufficient, in order to take the plug off.



LEDDY: THE NEW LED flashlight with integrated flashing management.

roller

UNDERGROUND OPERATORS FOR LEAF GATES



MAGNETIC LIMIT SWITCH KIT
It is the new magnetic limit switch which can be used with all the three release models: 110° - 140° - 180°.

Operation

The kit is made by an IP67 magnetic limit switch with related fastening stand and by a ring for installing the two polarized magnets.

SPIN

AUTOMATED BARRIERS FOR MOTOR VEHICLES

More evident safety

Spin automated barriers are ideal to regulate the car flow inside car parks or private areas. The available rods range includes different lengths from 3 to 7 metres, and it is enriched by new fittings.



Light kit

The rod Spin 4 can be equipped with high visibility flashlights. The lights' maximum power is 15W at 24V, handled with dedicated electronics. At any rod's metre there is a small card of 24V and 3W with two high brightness leds. The kit can be set to rods whose length is less than 4 m, it will be sufficient to shorten the pitch of the 4 circuits according to the desired length.



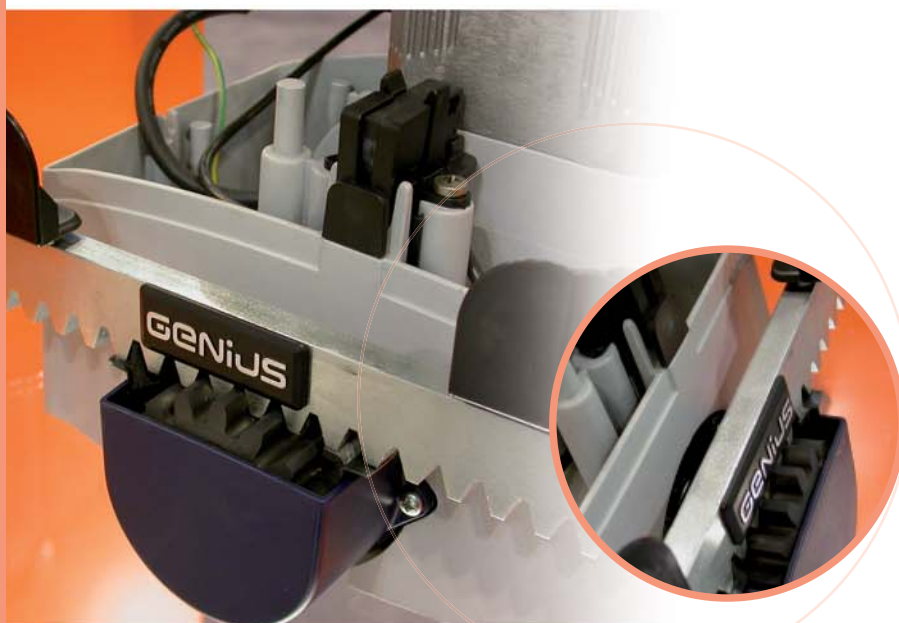
Telescopic round rod



In order to solve any transport problem the telescopic rod kit has been designed made by two 3.5 m rods to be linked through a solid aluminium 80cm insert. A version with full round rod of 6 or 7 metres is also available.

FALCON

GEAR MOTORS FOR SLIDING GATES



FALCON M WITH MAGNETIC LIMIT SWITCH.
Falcon M5 - M8 - M424 - M14 - M20, New version of motors for sliding gates with magnetic limit switch.

Benefits

Simple to install, to adjust, reliable with any kind of weather.

Enclosure for control units



The new Box, suitably designed to easily house all the range of the 24V Genius control units, is now available. IP 55 protection class, with the use of cable glands.



0057001 rev.0
canifani.com

It is a step towards the future and the energy of a team.

Genius is the team that creates this activity. Technology and experience are the motors that transform an idea into a reality, a reality that opens itself to new horizons.

Together with you to build the success.



GENews

2007



move your
genius

Discover the latest news 2007 for Genius



Genius S.p.A.

via Padre Elzi 32 • 24050 Grassobbio (BG) Italy • tel. +39 035 4242511 • fax +39 035 4242600
www.geniusg.com • info@geniusg.com • FAAC GROUP

